

# ***PROFIBUS Remote I/O Modules***

# 6

**6.1. Overview**

**P6-1-1**

**6.2. PROFIBUS Digital I/O Modules**

**P6-2-1**



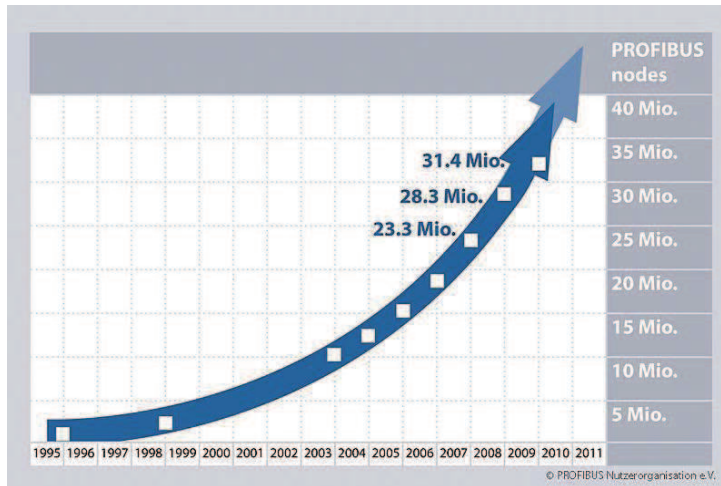
# 6.1. Overview

6

PROFIBUS Remote I/O Modules



**PROFIBUS** (Process Field Bus) is a standard for fieldbus communication in automation technology and was first promoted (1989) by BMBF (German department of education and research). It is the world's most successful fieldbus, with more than 31 million devices installed by the end of 2009. Over 5.4 million of these were in the process industries.



1

Overview

There are two variations of PROFIBUS in use today. The most commonly used PROFIBUS DP, and the lesser used PROFIBUS PA.

➤ **PROFIBUS DP (Decentralized Peripherals)**

It is used to operate sensors and actuators via a centralized controller in production (factory) automation applications.

➤ **PROFIBUS PA (Process Automation)**

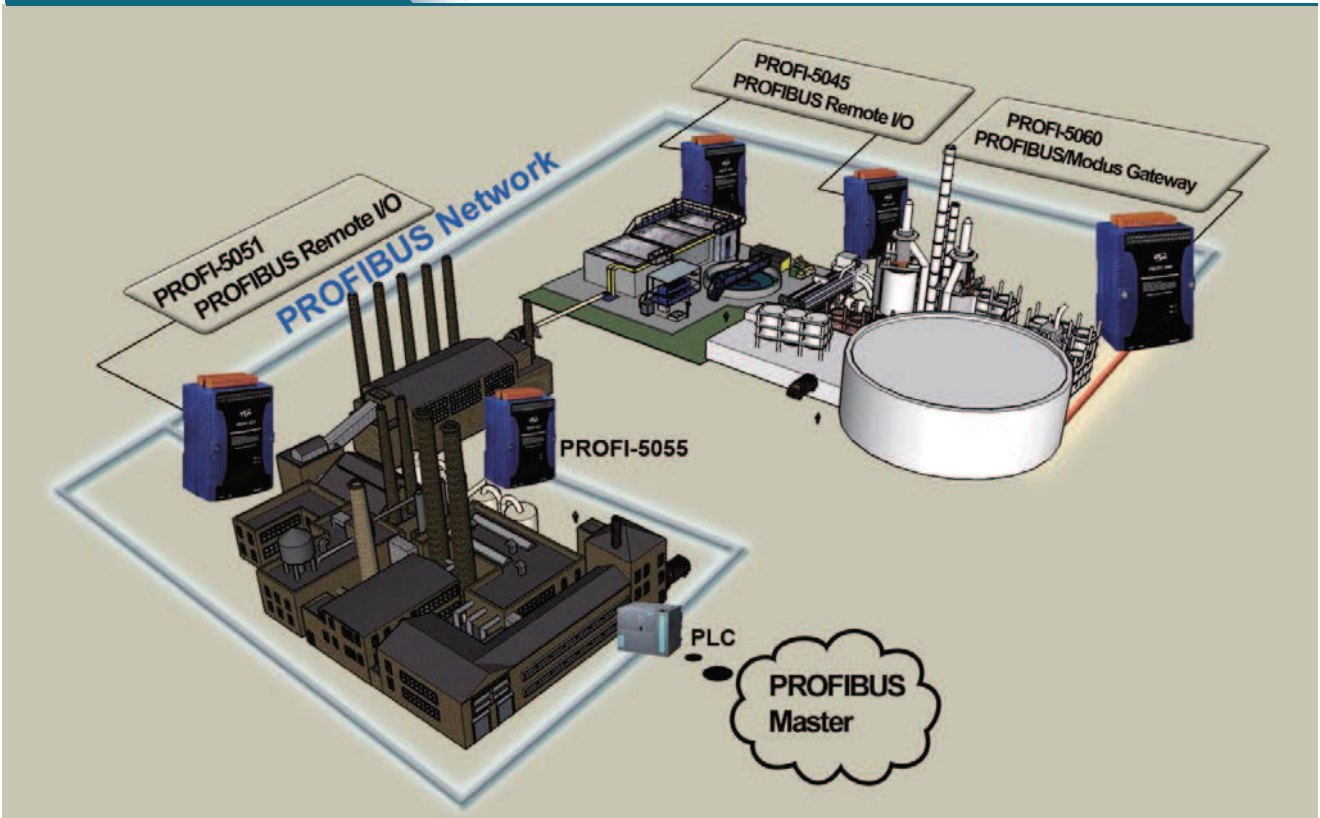
It is used to monitor measuring equipment via a process control system in process automation applications. This variant is designed for use in explosion/hazardous areas.

ICP DAS has been developing various PROFIBUS DP Slave products for several years. We offer converters, gateways, and remote I/O to our customers, and help them to resolve technology problems.

## • Features

- Baudrate up to 12Mbit/s.
- Maximum 244 bytes input and 244 bytes output per slave.
- Slave configuration and parameters are set from the master side by GSD file.
- Allow Multi-master system.
- Fast Cyclic data communication between master and slave.
- 124 slaves can be put in Data Exchange.
- 32 stations on one segment.

• Applications



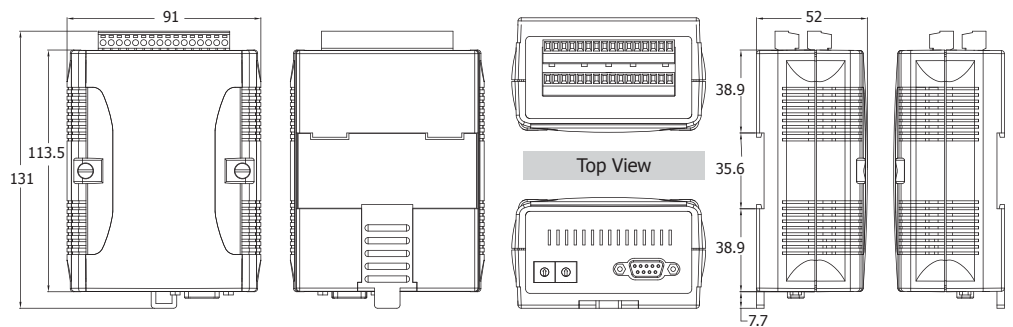
• Hardware

1. Installation



DIN-Rail Mounting

2. Mechanical



Front View

Rear View

Bottom View

Left View

Right View

3. Appearance



Power Indicator

Run Indicator



I/O Connector



Node Address

PROFIBUS Connector

## 6.2. PROFIBUS Digital I/O Modules

6

PROFIBUS Remote I/O Modules

PROFIBUS Digital I/O Modules							
Model Name	PROFI-5045	PROFI-5050	PROFI-5051	PROFI-5052	PROFI-5053	PROFI-5055	PROFI-5060
Pictures							
<b>DI</b>							
Channels	-	16	24	12	24	8	8
Isolation Voltage	-	-	3750 V <sub>rms</sub>	5000V <sub>rms</sub>	-	3750 V <sub>rms</sub>	3750 V <sub>rms</sub>
Contact	-	Dry	Wet	Wet	Dry	Wet	Wet
Sink/Source(NPN/PNP)	-	Sink/Source	Sink/Source	Sink/Source	-	Sink/Source	Sink/Source
ON Voltage Level	-	+4~ +30 V <sub>DC</sub>	+10~ +50 V <sub>DC</sub>	+4~ +30 V <sub>DC</sub>	Open	+10~ +50 V <sub>DC</sub>	+4~ +30 V <sub>DC</sub>
OFF Voltage Level	-	+1 V <sub>DC</sub> Max.	+4 V <sub>DC</sub> Max.	+1 V <sub>DC</sub> Max.	Close to IN.GND	+4 V <sub>DC</sub> Max.	+1 V <sub>DC</sub> Max.
Input Impedance	-	-	10 KΩ	3 KΩ	-	10 KΩ	3 KΩ
<b>DO</b>							
Channels	24	8	-	-	-	8	4
Isolation Voltage	3750 V <sub>rms</sub>	-	-	-	-	3750 V <sub>rms</sub>	-
Type	Open Collector	Open Collector	-	-	-	Open Collector	Relay (Form C)
Sink/Source(NPN/PNP)	Sink	Sink	-	-	-	Sink	-
Load Voltage	+10 ~ +40 V <sub>DC</sub>	+10 ~ +30 V <sub>DC</sub>	-	-	-	+10 ~ +40 V <sub>DC</sub>	0 ~ 125 V <sub>AC</sub> 0 ~ 30 V <sub>DC</sub>
Max. Load Current	650mA/channel	30 mA/channel	-	-	-	650 mA/channel	0.6 A @ 125 V <sub>AC</sub> 2 A @ 30 V <sub>DC</sub>
<b>Communication</b>							
Connector	9-pin female D-Sub						
Baud Rate (bps)	9.6 k, 19.2 k, 45.45 k, 93.75 k, 187.5 k, 500 k, 1.5 M, 3 M, 6 M, 12 M						
Controller	Profichip VPCLS2						
Transceiver	ADI ADM2486						
Protocol	CDP-V0						
Node Address	0~99 selected by rotary switch						
<b>System</b>							
ESD Protection	4 kV Contact for each channel						
Isolation	3000 V <sub>DC</sub> for DC-to-DC, 2500 V <sub>rms</sub> for bus-to-logic						
Watchdog	Yes						
<b>Power</b>							
Input range	Unregulated +10 ~ +40 V <sub>DC</sub>						
Power Consumption	1 W	1 W	1 W	1 W	1 W	1 W	2.1 W
<b>Mechanism</b>							
Installation	DIN-Rail						
Dimensions (W x L x H)	91 mm x 131 mm x 52 mm						
<b>Environment</b>							
Operating Temperature	-25 ~ +75°C						
Storage Temperature	-30 ~ +80°C						
Relative Humidity	10 ~ 90% RH, non-condensing						

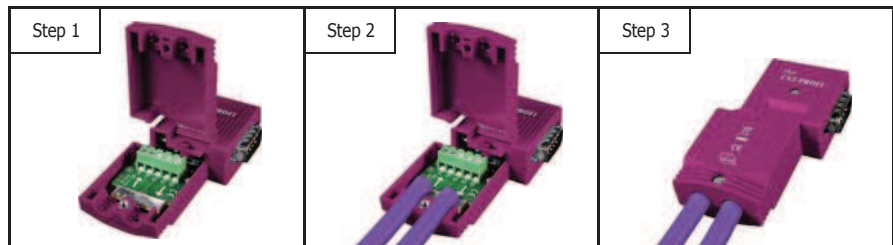
2

PROFIBUS Digital I/O Modules

### Accessory



Optional PROFIBUS connector: CNT-PROFI



Installation

For more products refer to Industrial Fieldbus Catalog

- CAN bus
- CANopen
- DeviceNet
- J1939
- PROFIBUS
- HART
- EtherNet/IP
- BACnet

