

A-8111

Hardware User's Manual

Warranty

All products manufactured by ICP DAS are warranted against defective materials for a period of one year from the date of delivery to the original purchaser.

Warning

ICP DAS assume no liability for damage consequent to the use of this product. ICP DAS reserves the right to change this manual at any time without notice. The information furnished by ICP DAS is believed to be accurate and reliable. However, ICP DAS assumes no responsibility for its use, or for any infringements of patents or other rights of third parties resulting from its use.

Copyright

Copyright 1997 by ICP DAS. All rights are reserved.

Trademark

The names used for identification only may be registered trademarks of their respective companies.

License

The user can use, modify and backup this software **on a single machine.** The user may not reproduce, transfer or distribute this software, or any copy, in whole or in part.

Table of Contents

1. Introduction	4
1.1 General Description	4
1.2 Features	4
1.3 Specifications	5
1.4 Applications	6
1.5 Product Check List	6
2. Hardware Configuration	7
2.1 Board Layout	7
2.2 I/O Base Address Setting	8
2.2.1 Base Address Table	9
2.3 Jumper Setting	10
2.3.1 JP1 : D/A Internal Reference Voltage Selection	10
2.4 I/O Register Address	11
2.4.1 The 8254 Counter	12
2.4.2 A/D Input Buffer Register	12
2.4.3 D/A Output Latch Register	13
2.4.4 D/I Input Buffer Register	13
2.4.5 Clear Interrupt Request	14
2.4.6 A/D Gain Control Register	14
2.4.7 A/D Multiplex Control Register	15
2.4.8 A/D Mode Control Register	16
2.4.9 A/D Software Trigger Control Register	17
2.4.10 D/O Output Latch Register	18
2.5 Digital I/O	19
2.6 8254 Timer/Counter	20
2.7 A/D Conversion	21
2.7.1 A/D conversion flow	22
2.7.2 A/D Conversion Trigger Modes	22
2.7.3 A/D Transfer Modes	23
2.7.4 Using software trigger and polling transfer	23
2.8 D/A Conversion	24
2.9 Analog Input Signal Connection	25

2.10 Pin Assignment	26
2.11 Daughter Board	28
2.11.1 CA-4002	28
2.11.2 DB-16P	28
2.11.3 DB-16R	28
2.11.4 DB-37	28
3. Calibration	29
3.1 Calibration VR Description	29
3.2 D/A Calibration Steps	30
3.3 A/D Calibration Steps	30
3.4 DI/O Testing	30

1. Introduction

1.1 General Description

The A-8111 is a high performance, multifunction analog, and digital I/O board for the PC AT compatible computer. The A-8111 provides programmable gain. (1, 2, 4, 8, 16) The A-8111 contains a 12-bit ADC with up to 8 single-ended analog inputs. The maximum sample rate of the A/D converter is about 35 k sample/sec. There is a 12-bit DAC with voltage outputs, 16 channels of TTL-compatible digital input, and 16 channels of TTL-compatible digital output.

1.2 Features

- The maximum sample rate of the A/D converter is about 35 k sample/sec.
- Software selective input ranges
- PC AT compatible ISA bus
- A/D trigger mode: software trigger, pacer trigger
- 8 single-ended analog input signals
 - Programmable gain: 1, 2, 4, 8, 16
 - Input range: ± 5 V, ± 2.5 V, ± 1.25 V, ± 0.625 V, ± 0.3125 V
- 1 channel 12-bit D/A voltage output, 0 ~ 5 V or 0 ~ 10 V
- 16 digital input /16 digital output (TTL compatible)
- Interrupt handling

1.3 Specifications

Model Name	A-8111
Analog Input	
Channels	8 single-ended
A/D Converter	12-bit, 8 μ s conversion time
Sampling Rate	35 kS/s. max.
Over voltage Protection	Continuous +/-35 Vp-p
Input Impedance	10 M Ω /6 pF
Trigger Modes	Software, Pacer
Data Transfer	Polling, Interrupt
Accuracy	0.01 % of FSR \pm 1 LSB @ 25 $^{\circ}$ C, \pm 10 V
Zero Drift	15 ppm/ $^{\circ}$ C of FSR
Analog Output	
Channels	1 independent
Resolution	12-bit
Accuracy	0.01 % of FSR \pm 1 LSB @ 25 $^{\circ}$ C, \pm 10 V
Output Range	Unipolar: 0 ~ 5 V, 0 ~10 V Bipolar: +/-10 V
Output Driving	+/- 5 mA
Slew Rate	0.6 V/ μ s
Output Impedance	0.1 Ω max.
Operating Mode	Software
Digital Input	
Channels	16
Compatibility	5 V/TTL
Input Voltage	Logic 0: 0.8 V max. / Logic 1: 2.0 V min.
Response Speed	1.0 MHz (Typical)
Digital Output	
Channels	16
Compatibility	5 V/TTL
Output Voltage	Logic 0: 0.4 V max. / Logic 1: 2.4 V min.
Output Capability	Sink: 0.8 mA @ 0.8 V / Source: -2.4 mA @ 2.0 V
Response Speed	1.0 MHz (Typical)
Timer/Counter	
Channels	3 independent
Resolution	16-bit
Compatibility	5 V/TTL
Input Frequency	10 MHz max.
Reference Clock	Internal: 2 MHz
General	
Bus Type	ISA
I/O Connector	Female DB37 x 1/20-pin box header x 2
Dimensions (L x W x D)	157 mm x 106 mm x 22 mm
Power Consumption	300 mA @ +5 V 60 mA @ +12 V 30 mA @ -12 V
Operating Temperature	0 ~ 60 $^{\circ}$ C
Storage Temperature	-20 ~ 70 $^{\circ}$ C
Humidity	5 ~ 85% RH, non-condensing

Analog Input Range:

Model	A-8111				
Gain	1	2	4	8	16
Bipolar (V)	+/- 5	+/- 2.5	+/- 1.25	+/- 0.625	+/- 0.3125
Sampling Rate Max.	125 kS/s				35 kS/s

1.4 Applications

- Signal analysis
- FFT & frequency analysis
- Transient analysis
- Production test
- Process control
- Vibration analysis
- Energy management
- Industrial and lab. measurement and control

1.5 Product Check List

The package includes the following items:

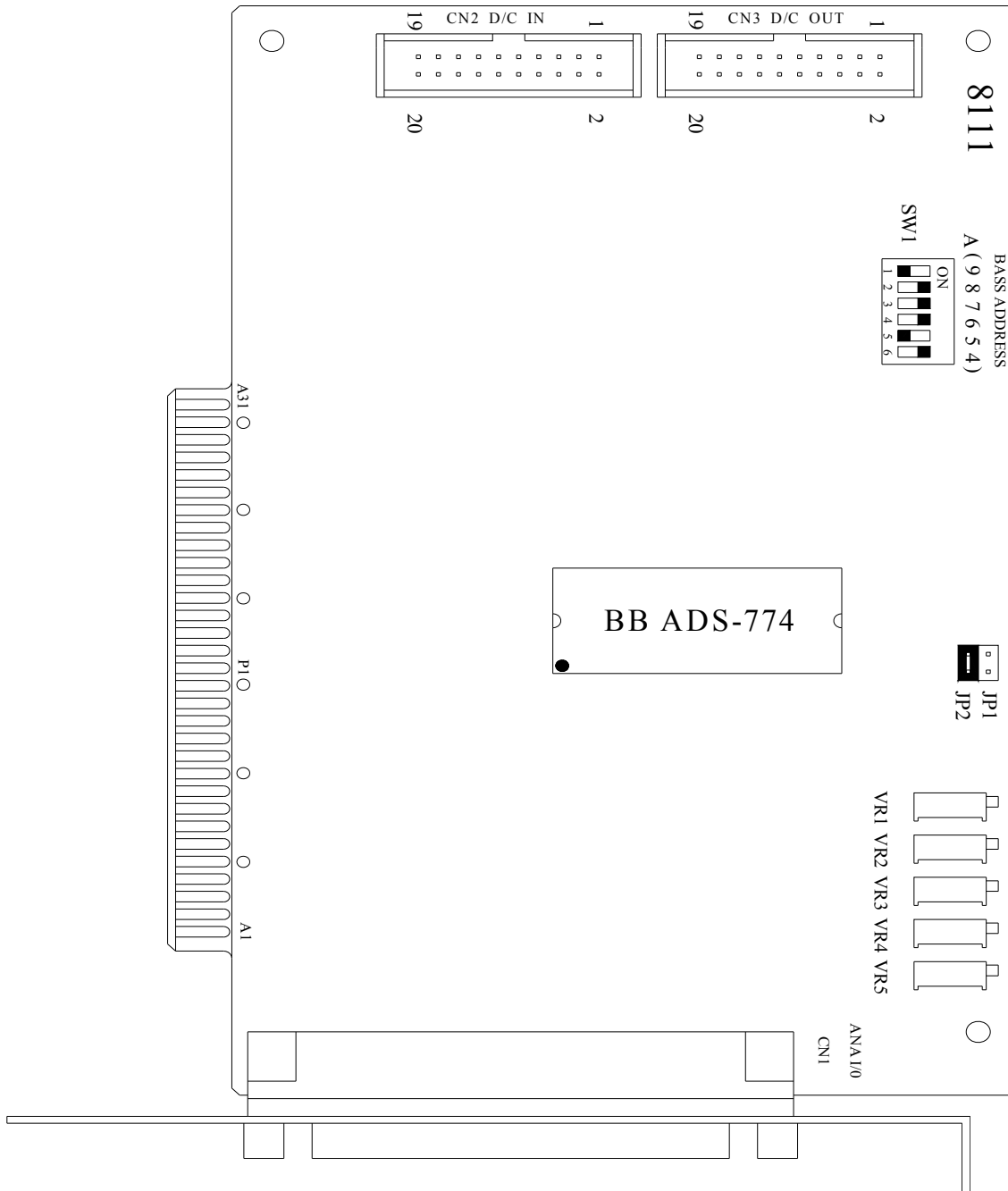
- One piece of A-8111 multifunction card
- One company floppy diskette or CD
- One Quick Start Guide

Attention !

If any of these items is missing or damaged, contact the dealer who provided you with this product. Save the shipping materials and carton in case you want to ship or store the product in the future.

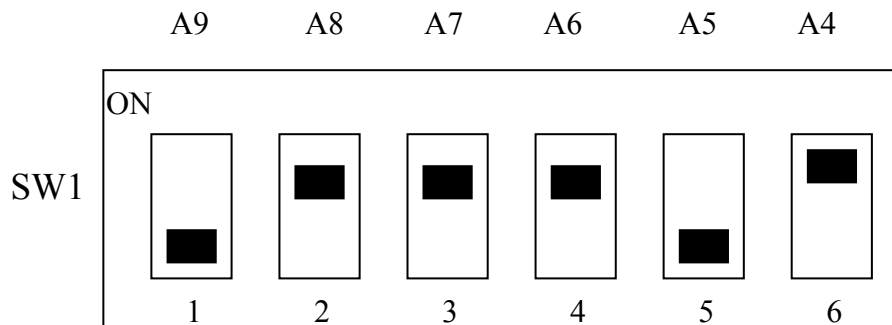
2. Hardware Configuration

2.1 Board Layout



2.2 I/O Base Address Setting

The A-8111 occupies 16 consecutive locations in I/O address space. The base address is set by DIP switch SW1. The default address is 0x220.



Default Base Address 220 Hex

For Example

How to select 2 2 0 (Hex)

OFF → 1

ON → 0

2		2				0
OFF	ON	ON	ON	OFF	ON	
1	0	0	0	1	0	
A9	A8	A7	A6	A5	A4	

→

The detail SW1 base addresses setting. Please refer to **2.2.1 Base Address Table**.

2.2.1 Base Address Table

IO Address	1 A9	2 A8	3 A7	4 A6	5 A5	6 A4
200-20F	OFF	ON	ON	ON	ON	ON
210-21F	OFF	ON	ON	ON	ON	OFF
220-22F(*)	OFF	ON	ON	ON	OFF	ON
230-23F	OFF	ON	ON	ON	OFF	OFF
240-24F	OFF	ON	ON	OFF	ON	ON
250-25F	OFF	ON	ON	OFF	ON	OFF
260-26F	OFF	ON	ON	OFF	OFF	ON
270-27F	OFF	ON	ON	OFF	OFF	OFF
280-28F	OFF	ON	OFF	ON	ON	ON
290-29F	OFF	ON	OFF	ON	ON	OFF
2A0-2AF	OFF	ON	OFF	ON	OFF	ON
2B0-2BF	OFF	ON	OFF	ON	OFF	OFF
2C0-2CF	OFF	ON	OFF	OFF	ON	ON
2D0-2DF	OFF	ON	OFF	OFF	ON	OFF
2E0-2EF	OFF	ON	OFF	OFF	OFF	ON
2F0-2FF	OFF	ON	OFF	OFF	OFF	OFF
300-30F	OFF	OFF	ON	ON	ON	ON
310-31F	OFF	OFF	ON	ON	ON	OFF
320-32F	OFF	OFF	ON	ON	OFF	ON
330-33F	OFF	OFF	ON	ON	OFF	OFF
340-34F	OFF	OFF	ON	OFF	ON	ON
350-35F	OFF	OFF	ON	OFF	ON	OFF
360-36F	OFF	OFF	ON	OFF	OFF	ON
370-37F	OFF	OFF	ON	OFF	OFF	OFF
380-38F	OFF	OFF	OFF	ON	ON	ON
390-39F	OFF	OFF	OFF	ON	ON	OFF
3A0-3AF	OFF	OFF	OFF	ON	OFF	ON
3B0-3BF	OFF	OFF	OFF	ON	OFF	OFF
3C0-3CF	OFF	OFF	OFF	OFF	ON	ON
3D0-3DF	OFF	OFF	OFF	OFF	ON	OFF
3E0-3EF	OFF	OFF	OFF	OFF	OFF	ON
3F0-3FF	OFF	OFF	OFF	OFF	OFF	OFF

(*) : default base address is 0x220

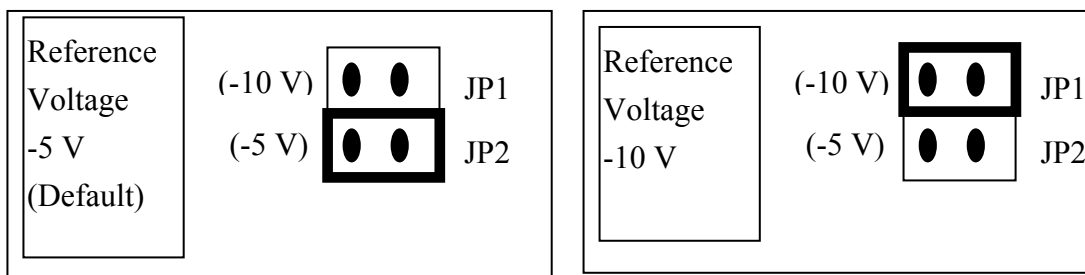
The PC I/O port mapping is given below.

ADDRESS	Device	ADDRESS	DEVICE
000-1FF	PC reserved	320-32F	XT Hard Disk
200-20F	Game/control	378-37F	Parallel Printer
210-21F	XT Expansion Unit	380-38F	SDLC
238-23F	Bus Mouse/Alt. Bus Mouse	3A0-3AF	SDLC
278-27F	Parallel Printer	3B0-3BF	MDA/Parallel Printer
2B0-2DF	EGA	3C0-3CF	EGA
2E0-2E7	AT GPIB	3D0-3DF	CGA
2E8-2EF	Serial Port	3E8-3EF	Serial Port
2F8-2FF	Serial Port	3F0-3F7	Floppy Disk
300-31F	Prototype Card	3F8-3FF	Serial Port

2.3 Jumper Setting

2.3.1 JP1 : D/A Internal Reference Voltage

Selection



Select (-5 V) : D/A voltage output = 0 ~ 5 V

Select (-10 V) : D/A voltage output = 0 ~ 10 V

2.4 I/O Register Address

The A-8111 occupies 16 consecutive PC I/O addresses. The following table lists the registers and their locations.

Address	Read	Write
Base+0	8254 Counter 0	8254 Counter 0
Base+1	8254 Counter 1	8254 Counter 1
Base+2	8254 Counter 2	8254 Counter 2
Base+3	Reserved	8254 Counter Control
Base+4	A/D Low Byte	D/A Channel 0 Low Byte
Base+5	A/D High Byte	D/A Channel 0 High Byte
Base+6	DI Low Byte	Reserved
Base+7	DI High Byte	Reserved
Base+8	Reserved	A/D Clear Interrupt Request
Base+9	Reserved	A/D Gain Control
Base+A	Reserved	A/D Multiplexer Control
Base+B	Reserved	A/D Mode Control
Base+C	Reserved	A/D Software Trigger Control
Base+D	Reserved	DO Low Byte
Base+E	Reserved	DO High Byte
Base+F	Reserved	Reserved

2.4.1 The 8254 Counter

The 8254 Programmable timer/counter has 4 registers from Base+0 through Base+3. For detailed programming information about the 8254, please refer to Intel's "Microsystem Components Handbook".

Address	Read	Write
Base+0	8254 Counter 0	8254 Counter 0
Base+1	8254 Counter 1	8254 Counter 1
Base+2	8254 Counter 2	8254 Counter 2
Base+3	Reserved	8254 Counter Control

2.4.2 A/D Input Buffer Register

(READ) Base+4 : A/D Low Byte Data Format

Bit 7	Bit 6	Bit 5	Bit 4	Bit 3	Bit 2	Bit 1	Bit 0
D7	D6	D5	D4	D3	D2	D1	D0

(READ) Base+5 : A/D High Byte Data Format

Bit 7	Bit 6	Bit 5	Bit 4	Bit 3	Bit 2	Bit 1	Bit 0
0	0	0	BUSY	D11	D10	D9	D8

A/D 12 bits data : D11.....D0, D11=MSB, D0=LSB

BUSY =1 : A/D 12 bits data converting is busy.

=0 : A/D 12 bits data is ready

The low 8 bits of A/D data are stored in address BASE+4 and the high 4 bits of data are stored in address BASE+5. The BUSY bit is used as an indicator for A/D conversion. **When an A/D conversion is completed, the BUSY bit will be cleared to zero (Low).**

2.4.3 D/A Output Latch Register

(WRITE) Base+4 : Channel 1 D/A Low Byte Data Format

Bit 7	Bit 6	Bit 5	Bit 4	Bit 3	Bit 2	Bit 1	Bit 0
D7	D6	D5	D4	D3	D2	D1	D0

(WRITE) Base+5 : Channel 1 D/A High Byte Data Format

Bit 7	Bit 6	Bit 5	Bit 4	Bit 3	Bit 2	Bit 1	Bit 0
X	X	X	X	D11	D10	D9	D8

D/A 12 bits output data : D11..D0, D11=MSB, D0=LSB, X=don't care

The D/A converter will convert the 12 bits of digital data to analog output. The low 8 bits of **D/A channel** are stored in address BASE+4 with the high 4 bits are stored in address BASE+5. The D/A output latch registers are designed as a “**double buffered**” structure, so the analog output latch registers will be updated until the high 4 bits of digital data are written. The users should send the low 8 bits first and then send the high 4 bits to update the 12 bits of AD output latch registers

NOTE : Send low 8 bits first, then send high 4 bits.

2.4.4 D/I Input Buffer Register

(READ) Base+6 : D/I Input Buffer Low Byte Data Format

Bit 7	Bit 6	Bit 5	Bit 4	Bit 3	Bit 2	Bit 1	Bit 0
D7	D6	D5	D4	D3	D2	D1	D0

(READ) Base+7 : D/I Input Buffer High Byte Data Format

Bit 7	Bit 6	Bit 5	Bit 4	Bit 3	Bit 2	Bit 1	Bit 0
D15	D14	D13	D12	D11	D10	D9	D8

D/I 16 bits input data : D15..D0, D15=MSB, D0=LSB

A-8111 provides 16 TTL compatible digital input. The low 8 bits are stored in address BASE+6. The high 8 bits are stored in address BASE+7.

2.4.5 Clear Interrupt Request

(WRITE) Base+8 : Clear Interrupt Request Format

Bit 7	Bit 6	Bit 5	Bit 4	Bit 3	Bit 2	Bit 1	Bit 0
X	X	X	X	X	X	X	X

X=don't care, XXXXXXXX=any 8 bits data is validate

If A-8111 is working in the interrupt transfer mode, an on-board hardware status bit will be set after each A/D conversion. This bit must be **cleared by the software** before next hardware interrupt. Writing any value to address BASE+8 will clear this hardware bit and the hardware will generate another interrupt when next the A/D conversion is completed.

2.4.6 A/D Gain Control Register

(WRITE) Base+9 : A/D Gain Control Register Format

Y	Bit 6	Bit 5	Bit 4	Bit 3	Bit 2	Bit 1	Bit 0
X	X	X	X	X	GAIN2	GAIN1	GAIN0

The only difference between the A-8111 and the A-8111 is the **GAIN** control function. The **A-8111 provides a gain factor of 1/2/4/8/16.** The gain controls register control the gain of the A/D input signal. Bipolar/Unipolar will affect the gain factor.

NOTE : **If the gain control code is changed, the hardware needs to have extra gain settling time.** The gain settling time is different for different gain control code. **The software driver does not monitor the gain settling time, so the user needs to delay the gain settling time if the gain changed.**

A-8111 GAIN CONTROL CODE TABLE

GAIN	Input Range	GAIN2	GAIN1	GAIN0	Settling Time
1	+/- 5 V	0	0	0	2.1 μ s
2	+/- 2.5 V	0	0	1	2.5 μ s
4	+/- 1.25 V	0	1	0	2.7 μ s
8	+/- 0.625 V	0	1	1	3.6 μ s
16	+/- 0.3125 V	1	0	0	4.1 μ s

2.4.7 A/D Multiplex Control Register

(WRITE) Base+A : A/D Multiplexer Control Register Format

Bit 7	Bit 6	Bit 5	Bit 4	Bit 3	Bit 2	Bit 1	Bit 0
X	X	X	X	X	D2	D1	D0

A/D input channel selection data =3 bits : D2..D0, D2=MSB, D0=LSB, X=don't care

Channel	Bit 2	Bit 1	Bit 0
0	0	0	0
1	0	0	1
2	0	1	0
3	0	1	1
4	1	0	0
5	1	0	1
6	1	1	0
7	1	1	1

NOTE: The settling time of the multiplexer depends on the source resistance of input sources.

Source resistance =About 0.1 kOhm → Settling time = About 3 μ s.

Source resistance =About 1 kOhm → Settling time = About 5 μ s.

Source resistance =About 10 kOhm → Settling time = About 10 μ s.

Source resistance =About 100 kOhm → Settling time = About 100 μ s.

Sec 2.4.6 gives information about how to delay the settling time.

2.4.8 A/D Mode Control Register

(WRITE) Base+B : A/D Mode Control Register Format

Bit 7	Bit 6	Bit 5	Bit 4	Bit 3	Bit 2	Bit 1	Bit 0
X	SI2	SI1	SI0	X	D2	D1	D0

X=don't care

Mode Select			Trigger Type		Transfer Type	
D2	D1	D0	Software Trig	Pacer Trig	Software	Interrupt
0	0	0	Select	X	Select	X
0	0	1	Select	X	Select	X
0	1	0	X	Select	X	X
1	1	0	X	Select	Select	Select

X=disable

SI2	SI1	SI0	IRQ Level
0	0	0	IRQ2
0	0	1	Not used
0	1	0	IRQ2
0	1	1	IRQ3
1	0	0	IRQ4
1	0	1	IRQ5
1	1	0	IRQ6
1	1	1	IRQ7

The A/D conversion operation can be divided into 2 stages, **trigger stage and transfer stage**. The trigger stage will generate a trigger signal to the A/D converter and the transfer stage will transfer the results to the CPU.

The trigger method may be a **software trigger** or a **pacer trigger**. **The software trigger is very simple but can not control the sampling rate very precisely.** In software trigger mode, the program issues a software trigger command (sec. 2.4.9) any time needed. Then the program will poll the A/D status bit until the BUSY bit is 0 (sec. 2.4.2).

The pacer trigger can control the sampling rate very precisely. So the converted data can be used to reconstruct the waveform of the analog input signal. In pacer trigger mode, the pacer timer will periodically generate trigger signals to the A/D converter. This converted data can be transfer to the CPU by polling or interrupt transfer method.

The software driver provides two data transfer methods: **polling or interrupt**. The polling subroutine, A-8111_AD_PollingVar() or A-8111_AD_PollingArray(), sets the A/D mode control register to **0x10**. This control word means software trigger and polling transfer. The interrupt subroutine, A-8111_AD_INT_START(...), sets the A/D mode control mode register to **0x06**. This control word means pacer trigger and interrupt transfer.

2.4.9 A/D Software Trigger Control Register

(WRITE) Base+C : A/D Software Trigger Control Register Format

Bit 7	Bit 6	Bit 5	Bit 4	Bit 3	Bit 2	Bit 1	Bit 0
X	X	X	X	X	X	X	X

X=don't care, XXXXXXXX=any 8 bits data is validate

The A/D converter can be triggered by software trigger or pacer trigger. Detailed information is given in sec.2.4.8 and 2.7. Writing any value to address BASE+C will generate a trigger pulse to the A/D converter and initiate an A/D conversion operation. The address BASE+5 offers a BUSY bit to indicate that an A/D conversion is complete.

The software driver uses this control word to detect the A-8111 hardware board. **The software initiates a software trigger and checks the BUSY bit.** If the BUSY bit cannot clear to zero in a fixed time, the software driver will return an error message. If there is an error in the I/O BASE address checking procedure, the driver will determent that there is no A-8111 existing with the I//O Base address. **A-8111_CheckAddress()** is used to detect the A-8111 with the specified I/O BASE is existing or not.

2.4.10 D/O Output Latch Register

(WRITE) Base+D : D/O Output Latch Low Byte Data Format

Bit 7	Bit 6	Bit 5	Bit 4	Bit 3	Bit 2	Bit 1	Bit 0
D7	D6	D5	D4	D3	D2	D1	D0

(WRITE) Base+E : D/O Output Latch High Byte Data Format

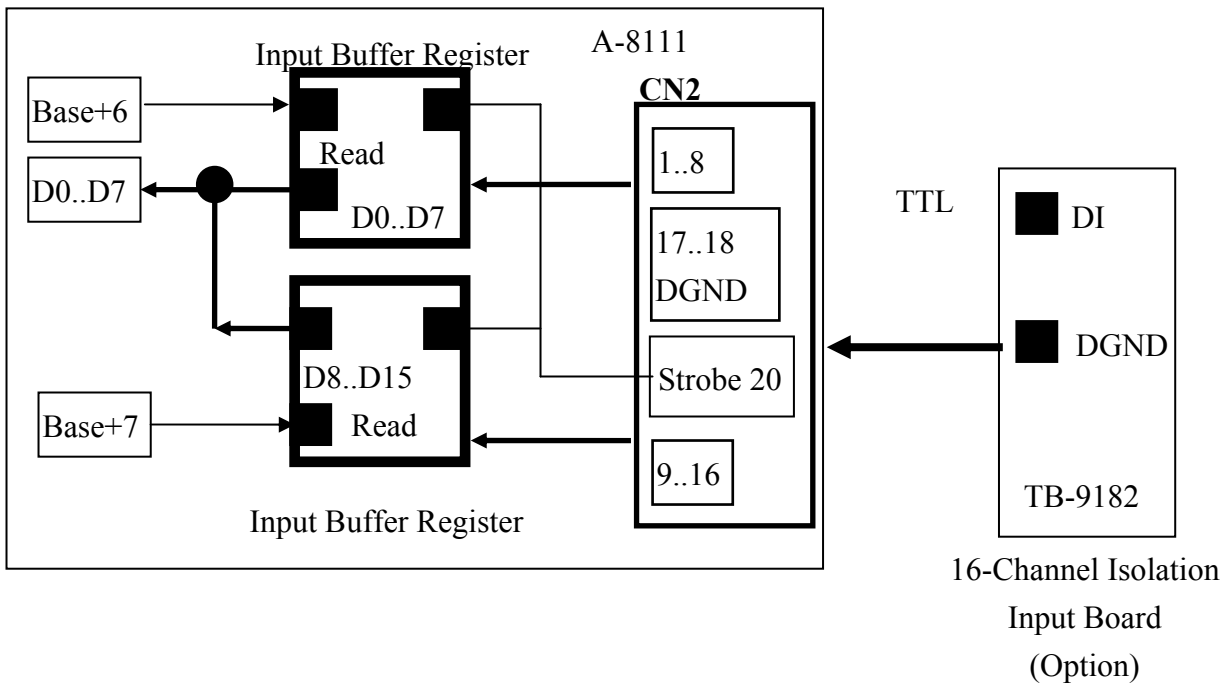
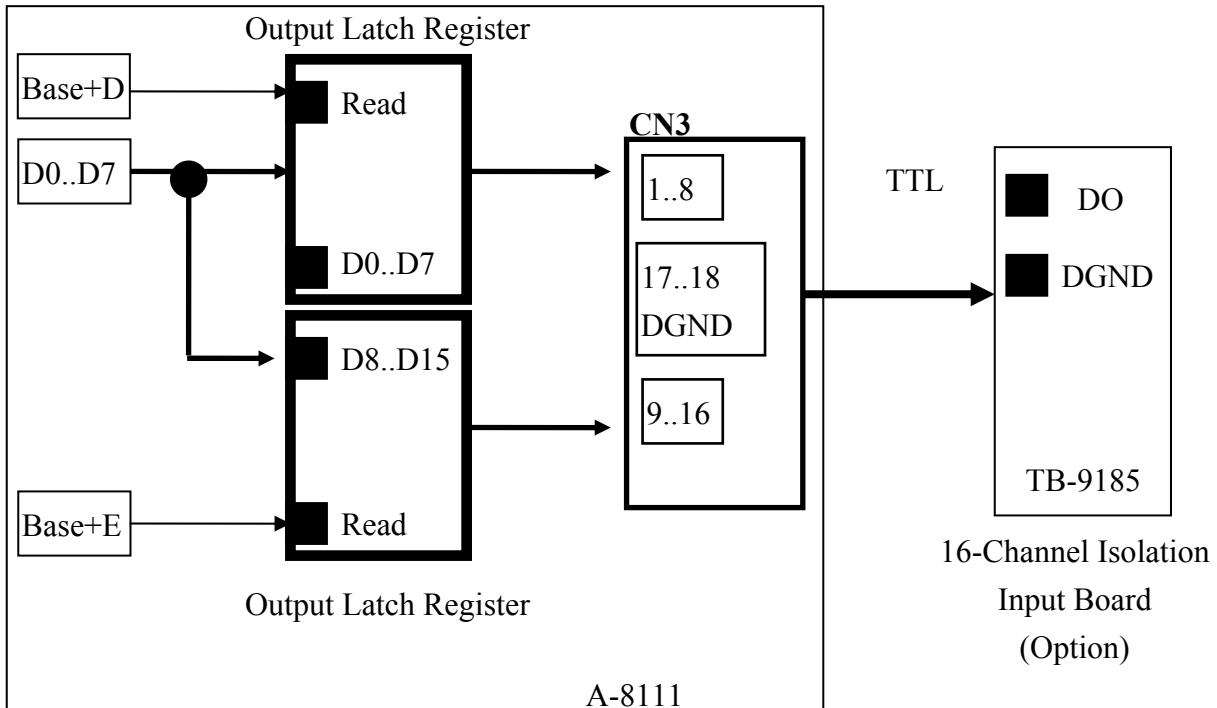
Bit 7	Bit 6	Bit 5	Bit 4	Bit 3	Bit 2	Bit 1	Bit 0
D15	D14	D13	D12	D11	D10	D9	D8

D/O 16 bits output data : D15..D0, D15=MSB, D0=LSB

The A-8111 provides 16 TTL compatible digital outputs. The low 8 bits are stored in address **BASE+D**. The high 8 bits are stored in address **BASE+E**

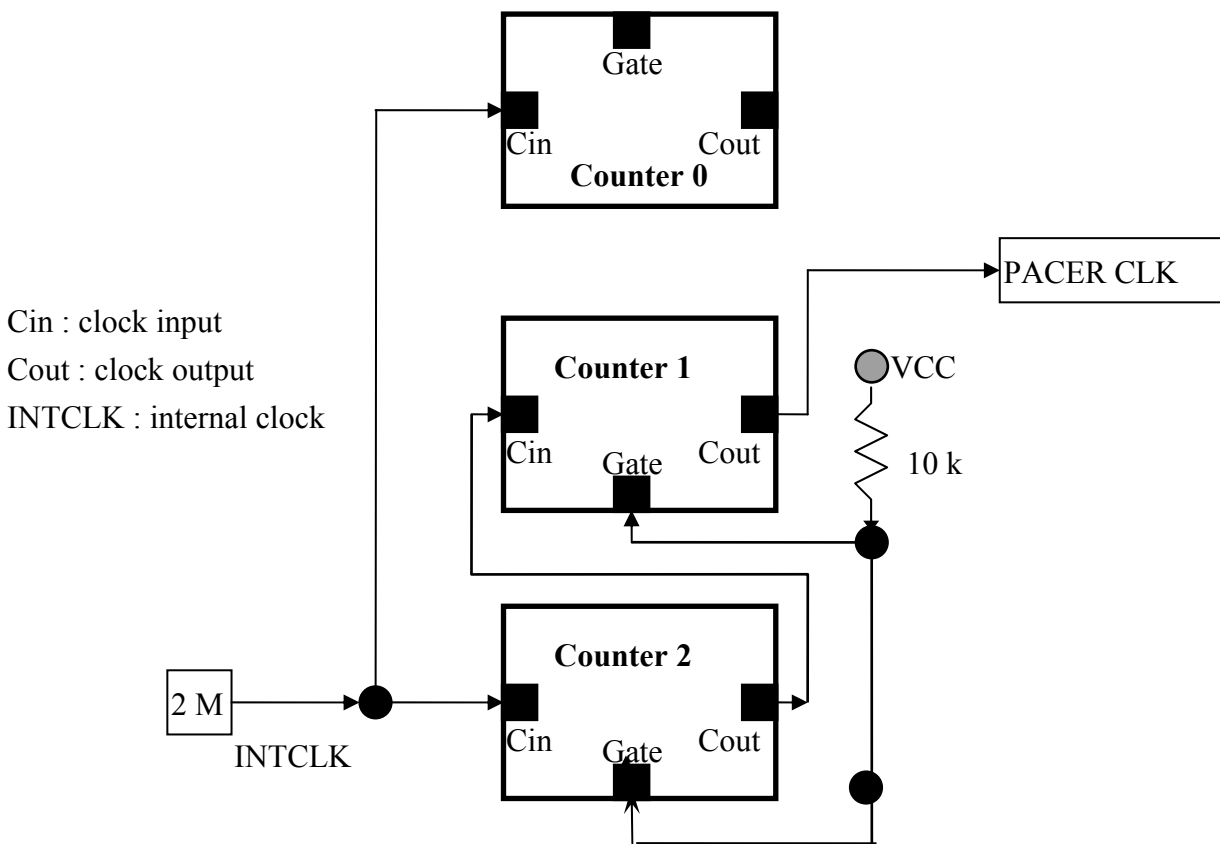
2.5 Digital I/O

The A-8111 provides 16 digital input channels and 16 digital output channels. All levels are TTL compatible. The connections diagram and block diagram are given below:



2.6 8254 Timer/Counter

The 8254 Programmable timer/counter has 4 registers from Base+0 through Base+3. For detailed programming information about 8254, please refer to Intel's "Microsystem Components Handbook". The block diagram is as below.



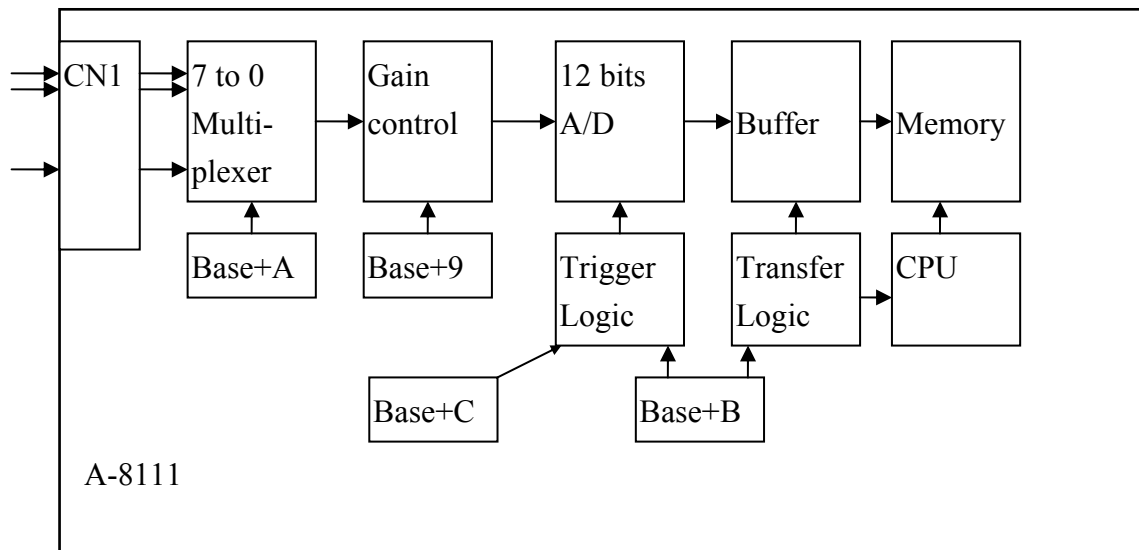
Counter0, counter1 and counter2 are all 16 bit counters. Counter 1 and counter 2 are cascaded as a 32 bit timer. The 32 bit timer is used as a **pacер timer**.

2.7 A/D Conversion

This section explains how to use A/D conversions. The A/D conversion can be performed **by software trigger or pacer trigger**. At the end of the A/D conversion, it is possible to transfer data by **polling and interrupt** before using the A/D conversion function; users should notice the following issues:

- A/D data register, BASE+4/BASE+5, stores the A/D conversion data (sec. 2.4.2)
- A/D gain control register, BASE+9, select gain (sec. 2.4.6)
- A/D multiplex control register, BASE+A, select analog input (sec. 2.4.7)
- A/D mode control register, BASE+B, select trigger type and transfer type (sec. 2.4.8)
- A/D software trigger control register, BASE+C (sec. 2.4.9)

The block diagram is given below:



2.7.1 A/D conversion flow

Then the user must decide which A/D conversion mode will be used. The software driver supports two different modes. The user can control the A/D conversion by polling mode very easily (**sec. 2.4.9**). It is recommended to use the software driver if using pacer mode.

The analog input signals come from CN1.

The multiplexer can accept 8 single-ended lines into the gain control module. The gain control module also needs settling time if the gain control code changed. Because the DOS software **doesn't monitor the settling time, the user should reserve enough settling time if switching from one channel to the next (sec. 2.4.6).**

The output of the gain control module feeds into the A/D converter. **The A/D converter needs a trigger signal to start an A/D conversion cycle.** The A-8111 supports **software trigger or pacer trigger mode.**

2.7.2 A/D Conversion Trigger Modes

A-8111 supports two trigger modes.

1 : Software Trigger :

Writes any value to the A/D software trigger control register, BASE+C, will initiate an A/D conversion cycle. This mode is very simple but very difficult to control the sampling rate.

2 : Pacer Trigger Mode :

The block diagram of the pacer timer is shown in section 2.6. The pacer timer can give very precise sampling rates.

2.7.3 A/D Transfer Modes

A-8111 supports two transfer modes.

1 : polling transfer :

This mode can be used with all trigger modes. Detailed information is given in section 2.4.8. The software scans A/D high byte data register, BASE+5, until BUSY_BIT=0. The low byte data is also ready in BASE+4.

2 : interrupt transfer :

This mode can be used with pacer trigger. Detailed information is given in section 2.4.8. The user can set the IRQ level by “A/D Mode Control Register”. (Sec. 2.4.8) A hardware interrupt signal is sent to the PC when an A/D conversion is completed.

2.7.4 Using software trigger and polling transfer

If the user needs to directly control the A/D converter without the A-8111 software driver, it is recommended to use software trigger and polling transfer. The program steps are listed as below:

1. Send 0x10 to A/D mode control register (software trigger + polling transfer) **(refer to sec. 2.4.8).**
2. Send channel number to multiplexer control register **(refer to sec. 2.4.7).**
3. Send the gain control code value to gain control register **(refer to sec. 2.4.6).**
4. Delay the settling time **(refer to sec. 2.4.6 and sec. 2.4.6).**
5. Send any value to the software trigger control register in order to generate a software trigger signal **(refer to sec. 2.4.9).**
6. Scan the BUSY bit of the A/D high byte data until BUSY=0 **(refer to sec. 2.4.2).**
7. Read the 12 bits of A/D data **(refer to sec. 2.4.2).**
8. Convert these 12 bits of binary data to floating point value

2.8 D/A Conversion

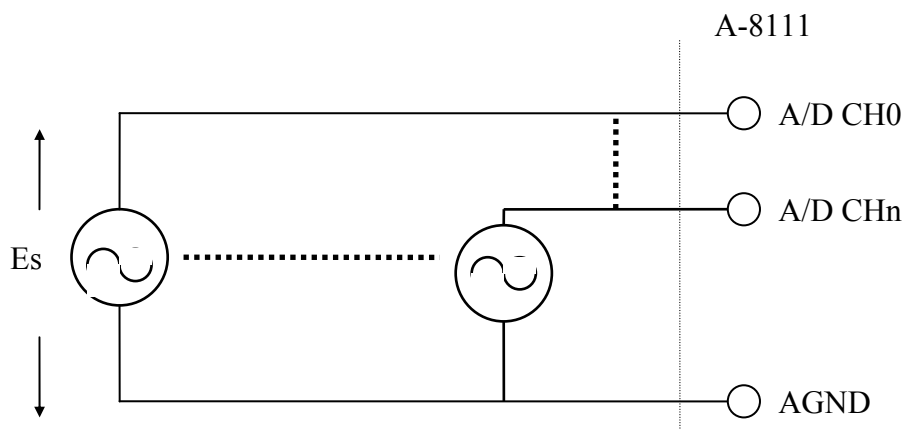
The A-8111 provides one 12 bit D/A converters. Before using the D/A conversion function, user should notice the following issues:

- D/A output register, BASE+4/BASE+5 (**sec. 2.4.3**).
- JP1/JP2 selects internal reference voltage (**sec. 2.3.1**).

NOTE: The DA output latch registers are designed as a “double buffered” structure. **The user must send the low byte data first, then send the high byte data to store the DA 12 bit digital data**. If the user only sends the high byte data, then the low byte data will be still the previous value. Also, if the user sends high byte first then sends low byte, the low byte data of DA is still held in the previous one.

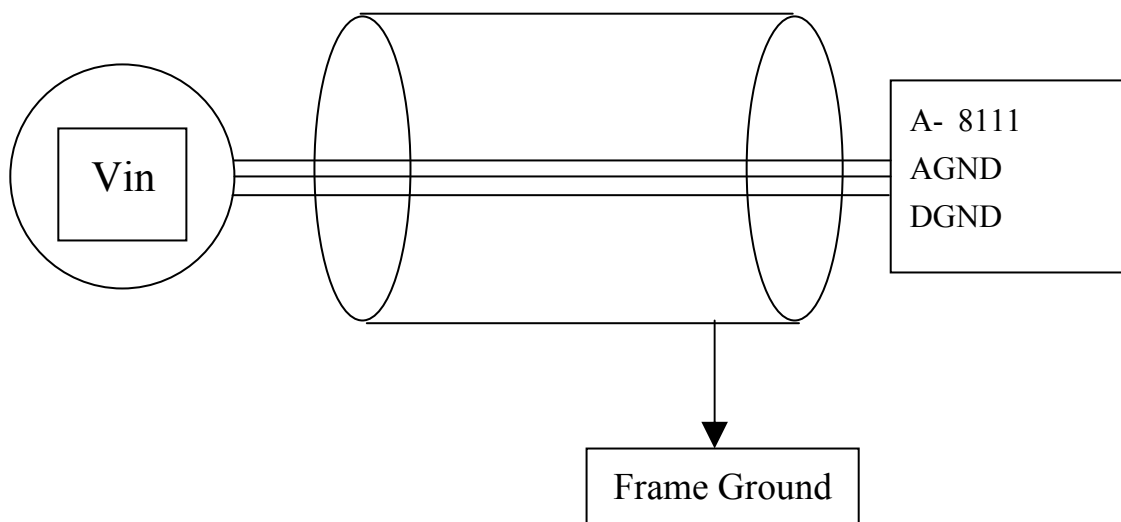
2.9 Analog Input Signal Connection

FG1 : Connecting analog input configuration



Signal Shielding

- Signal shielding connections in Fig1
- Use single-point connection to **frame ground (not AGND or DGND)**



2.10 Pin Assignment

The A-8111 provides three connectors. Connect 1, CN1 functions for analog input & analog output input. Connector 2, CN2, functions as 16 digital outputs. Connector 3, CN3, function as a digital output.

CN1/CN2/CN3 Pin Assignment

CN1: Analog input/Analog output/Connect Pin Assignment.

Pin Number	Description	Pin Number	Description
1	A/D Analog Input Channel 0	20	Analog GND
2	A/D Analog Input Channel 1	21	Analog GND
3	A/D Analog Input Channel 2	22	Analog GND
4	A/D Analog Input Channel 3	23	Analog GND
5	A/D Analog Input Channel 4	24	Analog GND
6	A/D Analog Input Channel 5	25	Analog GND
7	A/D Analog Input Channel 6	26	Analog GND
8	A/D Analog Input Channel 7	27	Analog GND
9	Not Used	28	Not Used
10	Not Used	29	Not Used
11	Not Used	30	D/A Analog Voltage output
12	Not Used	31	Not Used
13	Not Used	32	Not Used
14	Analog GND	33	Not Used
15	Analog GND	34	Not Used
16	Not Used	35	Not Used
17	Not Used	36	Not Used
18	Not Used	37	Not Used
19	PCB's + 5 V output		

CN2: Analog input/Analog output/Connect Pin Assignment.

Pin Number	Description	Pin Number	Description
1	Digital Input 0/TTL	2	Digital Input 1/TTL
3	Digital Input 2/TTL	4	Digital Input 3/TTL
5	Digital Input 4/TTL	6	Digital Input 5/TTL
7	Digital Input 6/TTL	8	Digital Input 7/TTL
9	Digital Input 8/TTL	10	Digital Input 9/TTL
11	Digital Input 10/TTL	12	Digital Input 11/TTL
13	Digital Input 12/TTL	14	Digital Input 13/TTL
15	Digital Input 14/TTL	16	Digital Input 15/TTL
17	PCB's GND output	18	PCB's GND output
19	PCB's + 5 V output	20	STROBE

CN3: Analog input/Analog output/Connect Pin Assignment.

Pin Number	Description	Pin Number	Description
1	Digital output 0/TTL	2	Digital output 1/TTL
3	Digital output 2/TTL	4	Digital output 3/TTL
5	Digital output 4/TTL	6	Digital output 5/TTL
7	Digital output 6/TTL	8	Digital output 7/TTL
9	Digital output 8/TTL	10	Digital output 9/TTL
11	Digital output 10/TTL	12	Digital output 11/TTL
13	Digital output 12/TTL	14	Digital output 13/TTL
15	Digital output 14/TTL	16	Digital output 15/TTL
17	PCB's GND output	18	PCB's GND output
19	PCB's + 5 V output	20	PCB's +12 V output

2.11 Daughter Board

The A-8111 can be connected with many different daughter boards. The function of these daughter boards is described as follows.

2.11.1 CA-4002

The CA-4002 is a 37pin D-Sub male connector. It can directly connect to a 37 pin D-sub connector.

2.11.2 DB-16P

The DB-16P is a **16 channel isolated digital input** board. The A-8111 provides a 16 channel, non-isolated, TTL-compatible digital inputs from CN2. If connecting to the DB-16P, the A-8111 can provide 16 channels of isolated digital input signals. Isolation can protect the PC if an abnormal input signal is occurs.

2.11.3 DB-16R

The DB-16R provides a **16-channel SPDT relay output**. The A-8111 provides a 16 channel, TTL-compatible digital output from CN3. If connecting to the DB-16R, the A-8111 can provide a 16-channel relay output to control power devices.

2.11.4 DB-37

The DB-37 is a general-purpose screw terminal board. It provides a 37-pin connector. This board directly connects to a 37-pin D-sub connector. It is suitable for easy signal connection and measurement.

3. Calibration

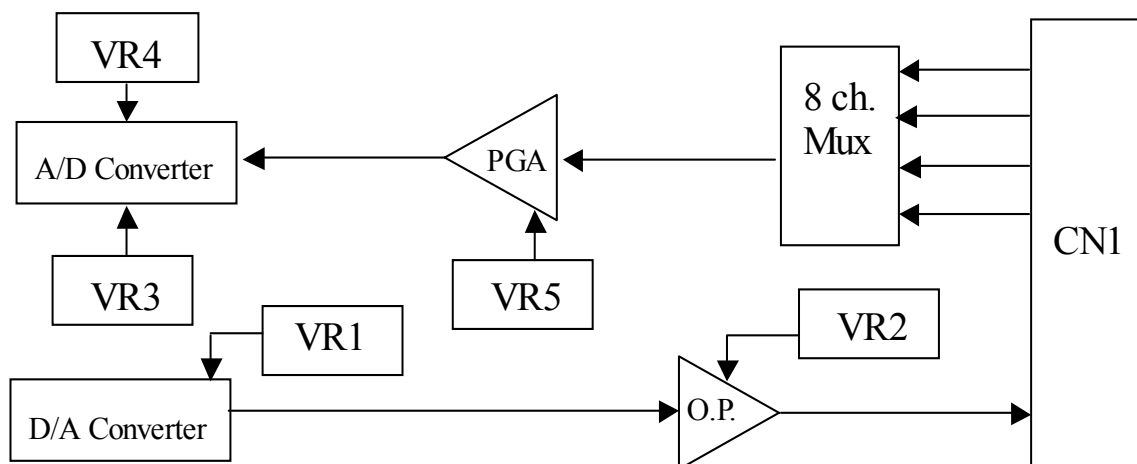
The A-8111 is calibrated to its best state of operation. For environments with large vibration, recalibration is recommended. Before calibrating the A-8111, users should have the following items:

- One 6-digit multi-meter.
- One stable voltage source (4.9988 V)
- Diagnostic program: this program is included in the delivered package and will guide the user to in proceeding with the calibration.

3.1 Calibration VR Description

There are seven VRs on the A-8111. Calibration is needed to adjust all seven VRs.

VR Num.	Description
VR1	D/A Gain adjustment
VR2	D/A Offset adjustment
VR3	A/D Offset adjustment
VR4	A/D's Gain adjustment
VR5	A/D's PGA(Programmable Gain Amplifier) Offset Adjustment



3.2 D/A Calibration Steps

1. Run A8111CAL.EXE
2. Connect D/A channel0,, pin 30 of CN1 to DVM
3. Adjust VR1 until DVM=5.0000 V
4. Press "Enter" key
5. Adjust VR2 until DVM=0.0000 V

3.3 A/D Calibration Steps

1. Press "Enter" key
2. Connect A/D Channel 0 to analog ground, CN1-Pin1 to CN1-Pin20.
3. Input stable DC 4.9988 V to A/d channel 1, pin2 of CN1.
4. Connect DVM to TP1(-) & (+).
5. Adjust VR5 until DVM=0.0000 V.
6. Press <Enter> Key.
7. Adjust VR4 until A/D data shows 4094 or 4095.
8. Press <Enter> Key
9. Adjust VR3 until A/D data shows 2047 or 2048.
10. Repeat step_3 to step_11 until:
A/D channel 0 input 4.9988 V → A/D reading 4094 or 4095.
A/D channel 0 input 0 V → A/D reading 2047 or 2048.
11. Press <Enter> Key.

3.4 DI/O Testing

12. Use 20-pin flat cable (CA-2010, CA-2020 Option) to link CN2 to CN3.
13. Press <Enter> Key.